



Delmarva Pump Center, Inc. / DBA
DPC Emergency Equipment
www.dpcemergency.com

- 335 Strauss Avenue
Marydel, DE 19964
Phone: (302) 492-1245
Fax: (302) 492-1340
- 526 Crown Stone Road
Marydel, MD 21649
Phone: (410) 482-6474

FOR IMMEDIATE RELEASE

MARYDEL, Delaware – April 3, 2015 – DPC Emergency Equipment is pleased to announce it has received an order from the Montgomery County Fire and Rescue Service for eight (8) new PL Custom medium-duty ambulances. These units will be in addition to the initial order of 21 that was placed in July 2014.

- 2016 Freightliner M2 chassis
- PL Custom Titan 170” body
- 72” interior headroom
- Exterior compartments designed for MCFRS equipment needs with in/out access
- PL Custom “Medic in Mind” interior layout to enhance personnel safety
- Double wide (36”) streetside CPR seat
- Slide-out tool board w/(2) Zico SCBA brackets
- Zico electric oxygen tank lift
- PL Custom 12-volt electrical system
- Centrally ducted climate-control system
- Pro Air Germicidal Air Purification System
- Whelen Super-LED warning light package
- Whelen 4500 Series rear Super-LED lightbar
- (10) Whelen LED dome lights
- Whelen Fluorent LED strip lights in exterior compartments
- Backup camera w/7” LCD monitor
- Sigtronics US-12S vehicle intercom system
- Vanner 1050CUL-DC 1,050-watt inverter w/55-amp battery charger
- Custom paint, lettering and graphics by PL Custom

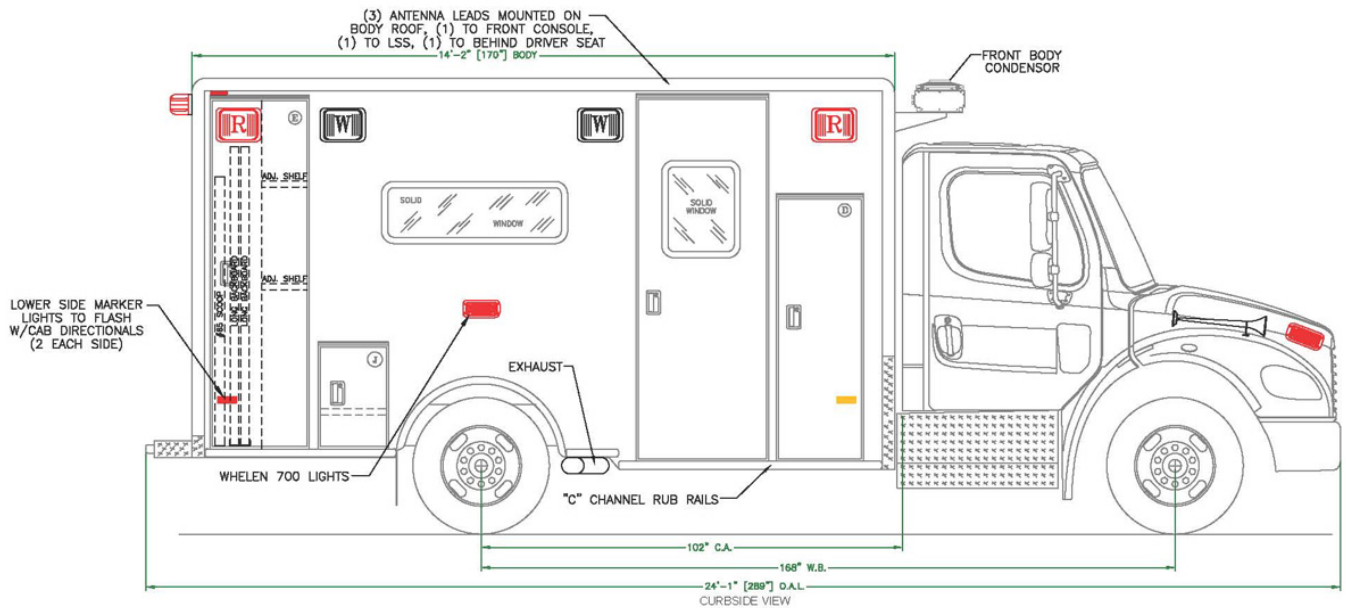
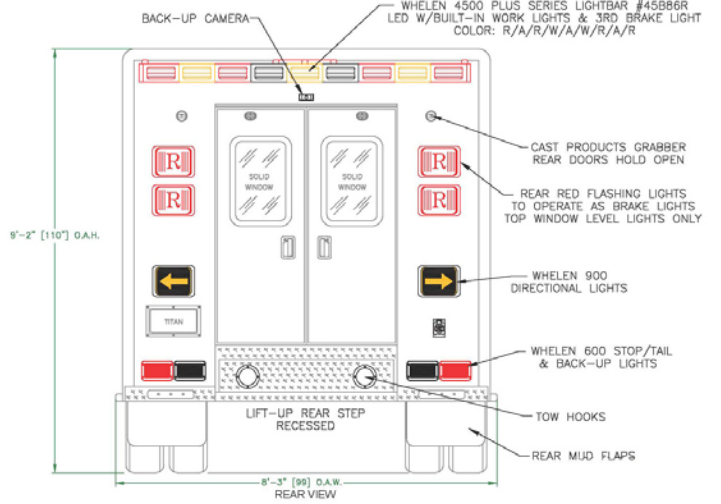
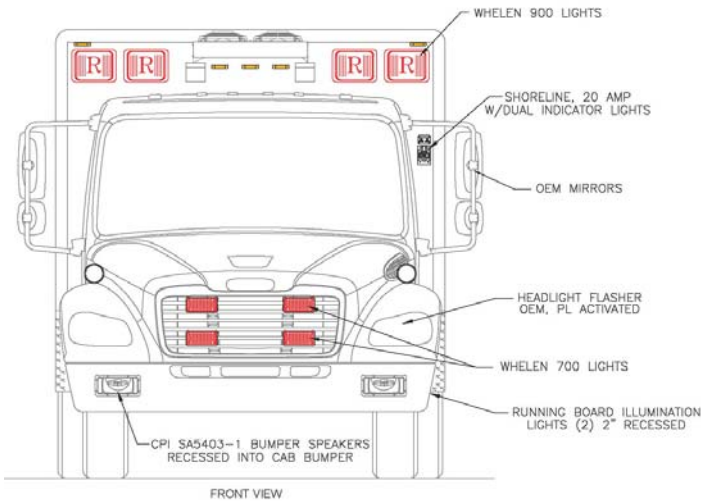
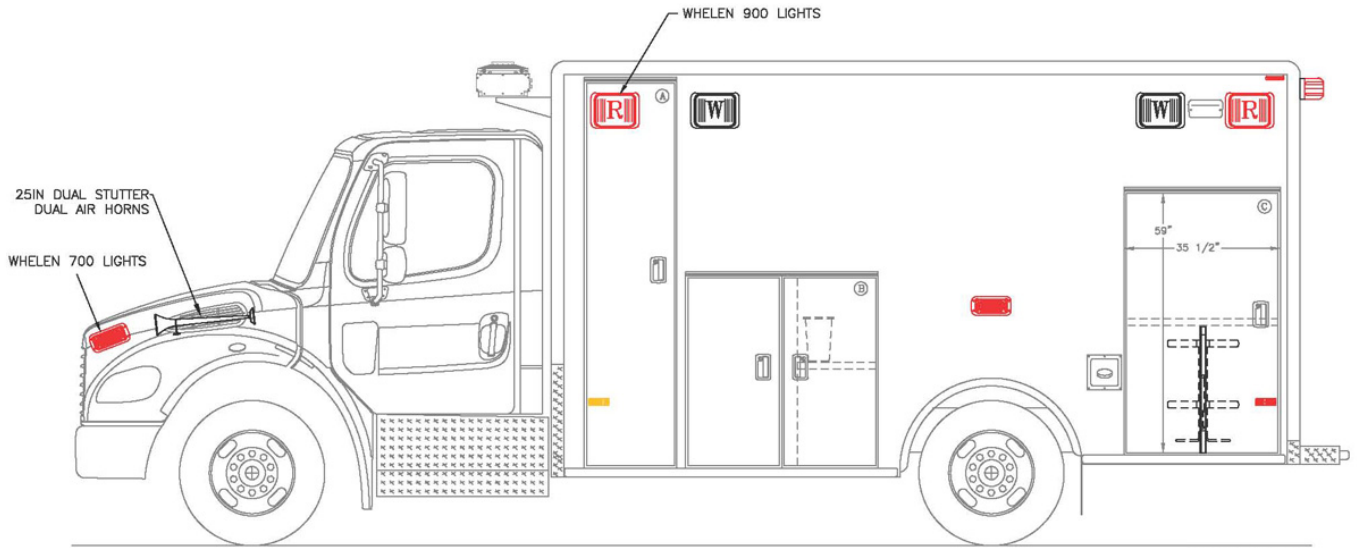
The units were sold by Ron Willett.

A family owned and operated company, DPC Emergency Equipment has continuously served public safety personnel in Maryland and Delaware for 25 years. DPC is an authorized sales and service dealer for Rosenbauer and PL Custom in Maryland and Delaware. To learn more about our company, people, products and services, visit our website at www.dpcemergency.com.

Visit Montgomery County Fire and Rescue Service online at www.montgomerycountymd.gov/mcfrs/

Visit PL Custom Emergency Vehicles online at www.plcustom.com.

EXTERIOR CONCEPT DRAWINGS



INTERIOR CONCEPT DRAWINGS

