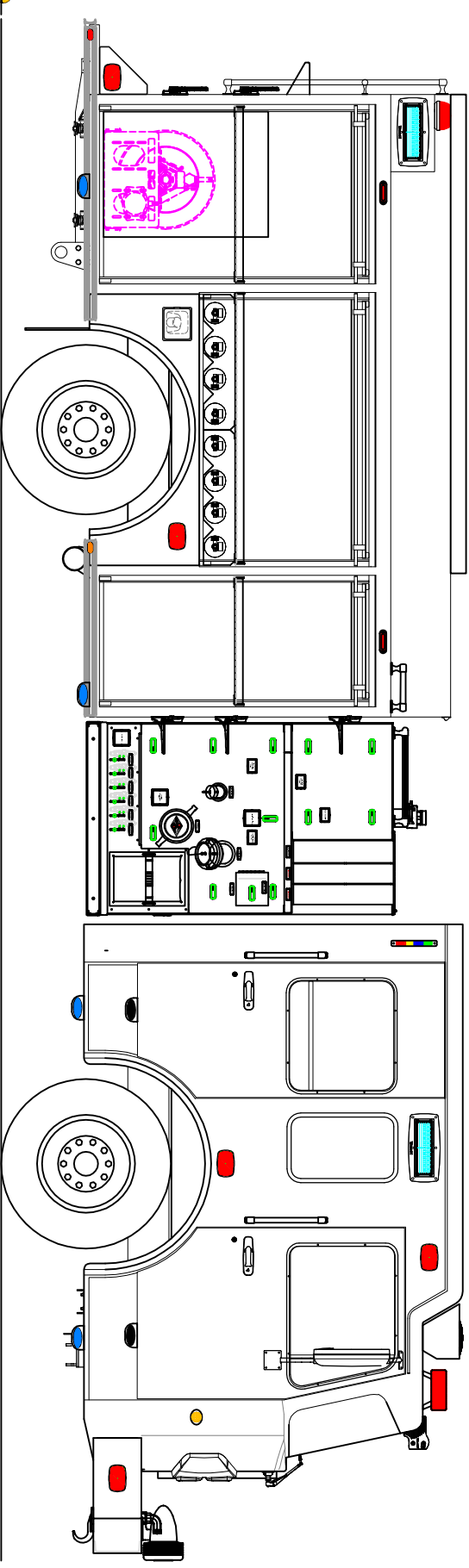
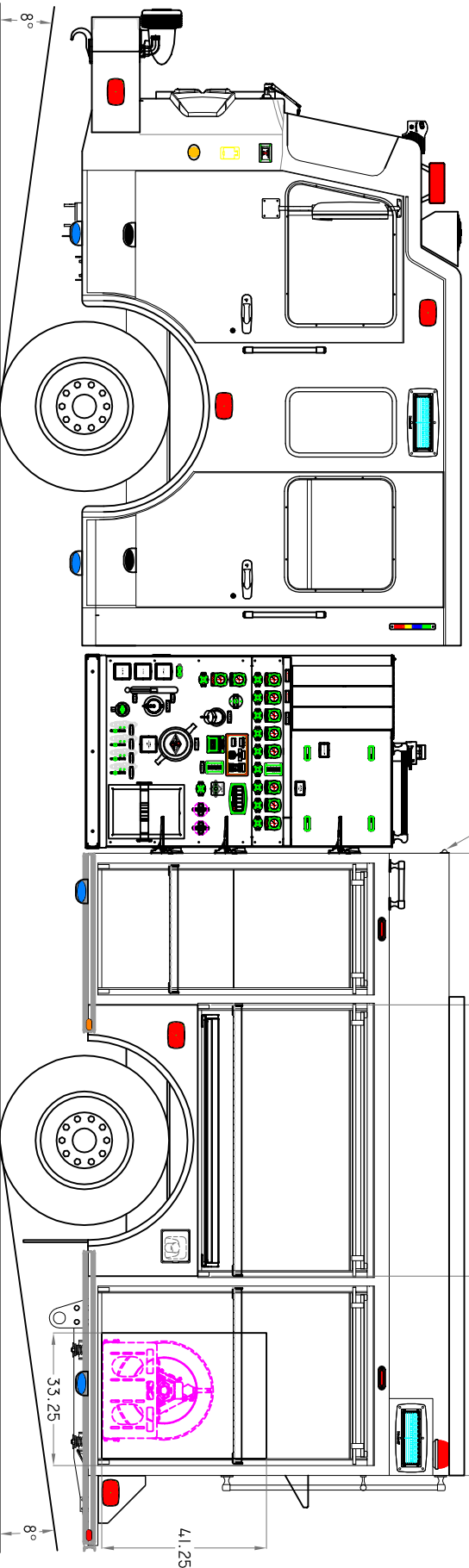
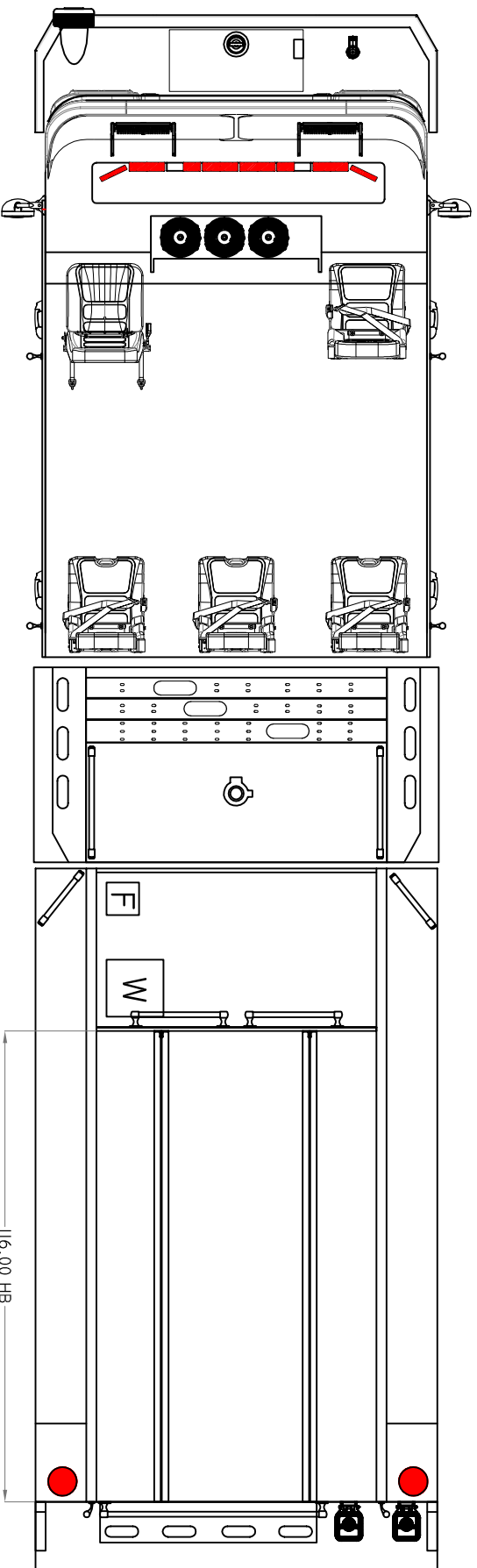
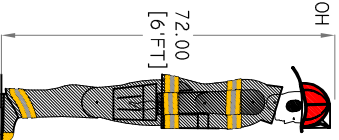
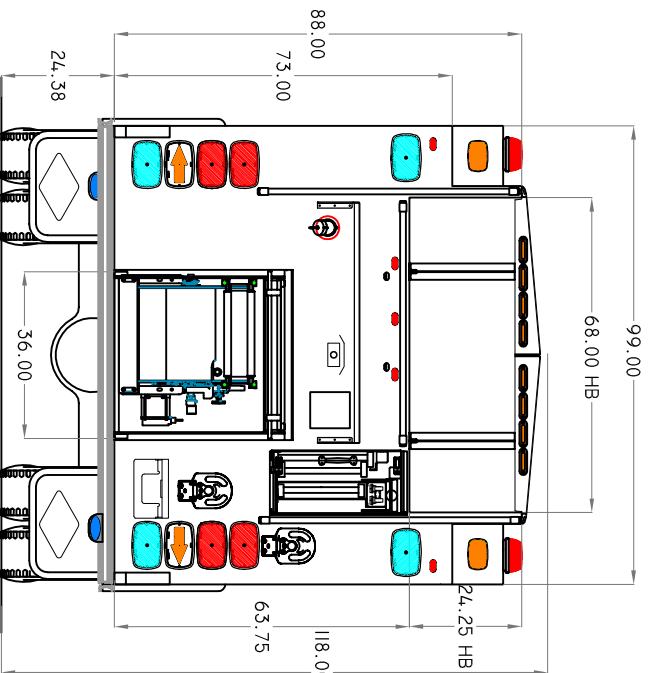
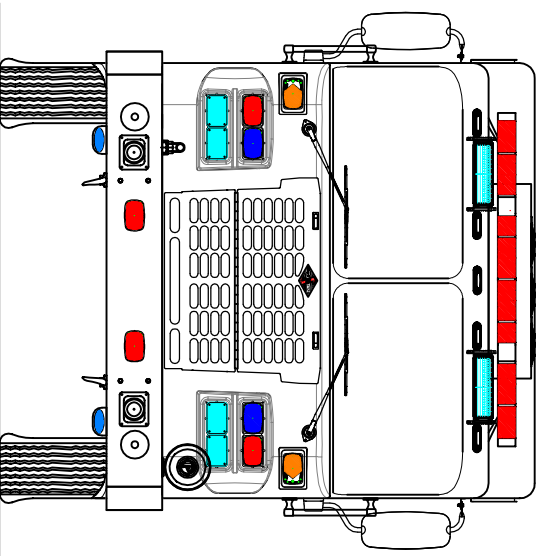


Compartment	Volume (Cubic Feet)
L1	29.4
L2	27.3
L3	36.4
R1	29.4
R2	27.3
R3	36.4
B1	31.9
Hose Bed Area	112.4



CHASSIS: SPARTAN METRO STAR EMFD 10" RR

ENGINE: CUMMINS L9 450 HP

TRANSMISSION: ALLISON 3000 EVS

AXLES: F 20,000 LB / R 26,000 LB

MODEL: 2106

WATER/FOAM: 1000 GALLONS / 20 GALLONS

PUMP: WATEROUS CSU 1500 GPM

FOAM SYSTEM: FOAMPRO 1600

GENERATOR: N/A

DOOR FRAMED OPENINGS

COMPARTMENT	DOOR FRAMED OPENING
L1	32.25-W x 68.0-H
L2	68.0-W x 43.0-H
L3	44.25-W x 68.0-H
R1	32.25-W x 68.0-H
R2	68.0-W x 43.0-H
R3	44.25-W x 68.0-H
B1	36.0-W x 37.25-H

SPECIAL NOTES:

LADDER PACKAGE

- (1) Duo-SAFETY 24 FT.-2 SEC. 900A
- (1) Duo-SAFETY 14 FT. ROOF- 775A
- (1) Duo-SAFETY 10 FT. ATTIC- 585A

STORAGE FOR

- (1) 18" x 72" FERRO BACKBOARD
- (2) Pike Poles with Straddle Hook
- (1) Arson Trash Hook, 1P to 12FT Long

CUSTOMER

THIS DRAWING IS A CLOSE APPROXIMATION OF YOUR FIRE APPARATUS. IN ALL CASES WHERE THE DRAWING AND THE WRITTEN SPECIFICATION DIFFER, THE SPECIFICATION SHALL PREVAIL. PLEASE WORK WITH YOUR DEALER TO ASSURE THAT THE WRITTEN SPECIFICATION REPRESENTS WHAT YOU WANT IN YOUR FINISHED PRODUCT. SPARTAN EMERGENCY RESPONSE BUILDS TO THE WRITTEN SPECIFICATION, NOT THE DRAWING TO ASSURE THAT YOUR NEEDS ARE MET.

PROPRIETARY AND CONFIDENTIAL

THE INFORMATION CONTAINED IN THIS DRAWING IS THE SOLE PROPERTY OF SPARTAN EMERGENCY RESPONSE. ANY REPRODUCTION IN PART OR AS A WHOLE WITHOUT THE WRITTEN PERMISSION OF SPARTAN EMERGENCY RESPONSE IS PROHIBITED. SPARTAN MOTORS USA, INC. D/B/A SPARTAN EMERGENCY RESPONSE.

REV	DATE	DESCRIPTION	NAME
6	11/12/18	ENG UPDATES-MIGRATION SS/DD/DG	W.C.
5	05/08/18	CHANGES FOR "M" MODEL	M.G.H.
4	03/15/17	REQUESTED CHANGES	M.G.H.
3	03/08/17	REQUESTED CHANGES	M.G.H.
2	03/03/17	REQUESTED CHANGES	M.G.H.
1	02/24/16	REQUESTED CHANGES	M.G.H.
0	02/04/16	INITIAL PROPOSAL	M.G.H.

CUSTOMER:

SCALE: NOT TO SCALE

TRUCK NUMBER: DEALER:

MODEL 2106-M